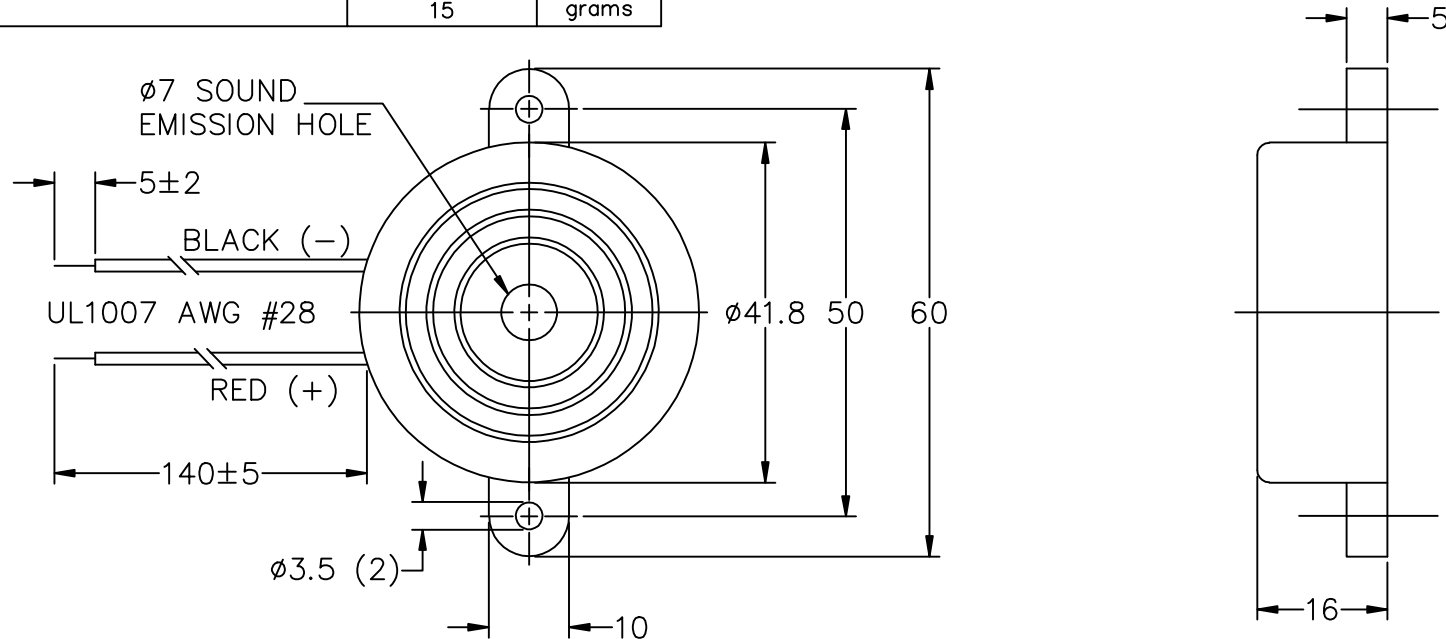


THIS DOCUMENT CONTAINS DATA PROPRIETARY TO PROJECTS UNLIMITED, INC. ANY USE OR REPRODUCTION, IN ANY FORM, WITHOUT PRIOR WRITTEN PERMISSION OF PROJECTS UNLIMITED, INC. IS PROHIBITED.
 ©2005, Projects Unlimited Inc.

SPECIFICATIONS

PARAMETERS	VALUES	UNITS
RATED VOLTAGE	12	Vdc
OPERATING VOLTAGE RANGE	1.5 ~ 20	Vdc
RATED CURRENT (MAX)	10	mA
MINIMUM SPL @ 10 CM	106	dBA
RESONANT FREQUENCY	2800±500	Hz
TONE OR PULSE RATE	CONTINUOUS	⁰ PULSE PER SECOND
OPERATING TEMPERATURE	-40 ~ +65	°C
STORAGE TEMPERATURE	-40 ~ +70	°C
HOUSING MATERIAL	ABS	-
TERMINAL MATERIAL	LEAD WIRES	-
WEIGHT	15	grams


REVISIONS			
LTR	DESCRIPTION	DATE	APPROVED
-	RELEASED FROM ENGINEERING	5/24/06	
A	REVISED TEMPERATURE SPECIFICATIONS	8/24/07	R.W.



NOTES:

1. ALL DIMENSIONS ARE IN MILLIMETERS.
2. SPECIFICATION SUBJECT TO CHANGE OR WITHDRAWAL WITHOUT NOTICE.
3. THIS PART IS RoHS 2002/95/EC COMPLIANT.

FILE NAME
AI-4228-TF-LW140-C-R.DWG

UNLESS OTHERWISE SPECIFIED: DIMENSIONS ARE IN MILLIMETERS, TOLERANCES ARE ±0.5 AND ANGLES ARE ±3°.		 projects® unlimited Dayton, Ohio	
INDICATOR		DRAWING NO. AI-4228-TF-LW140-C-R	
APPROVALS	DATE	SIZE	SCALE: N.T.S.
DRAWN J.D.	5/06	A	SHEET 1 OF 1
CHECKED E.P.	5/06		
APPROVED B.R.	5/06		
DO NOT SCALE DRAWING			